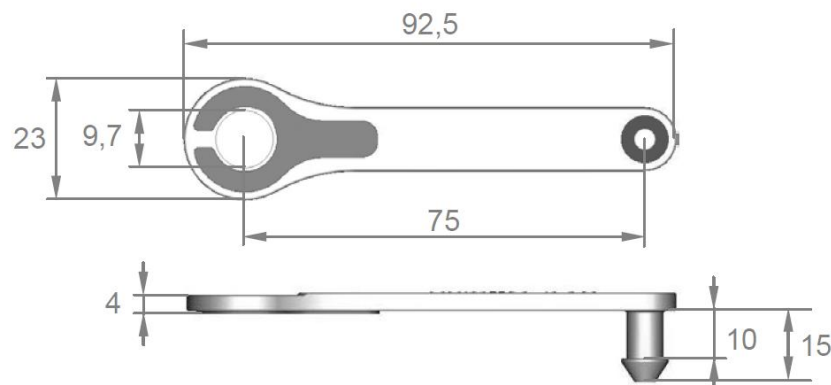


SCM10201301

Data Sheet ScrewClip 10

Dimensions:



Mounting hole:	$\varnothing 8 \pm 0,1$
Distance between holes for mounting:	75 mm
Max. permissible material thickness of mounting peg:	10 mm
Max. permissible torque:	75 Nm
Metal insert material:	1.4301 stainless steel
Elastomer type:	SBR (styrene-butadiene rubber)
Temperature range:	-40°C to +90°C
Colour:	RAL 9005 (Jet Black)
Suitable for use with food:	No

Notes:

- You can combine the ScrewClip with any screw you like
- We recommend using the ScrewClip with a washer



Type-tested (DEKRA) according to the Machinery Directive 2006/42/EG Annex I, 1.4.2.1