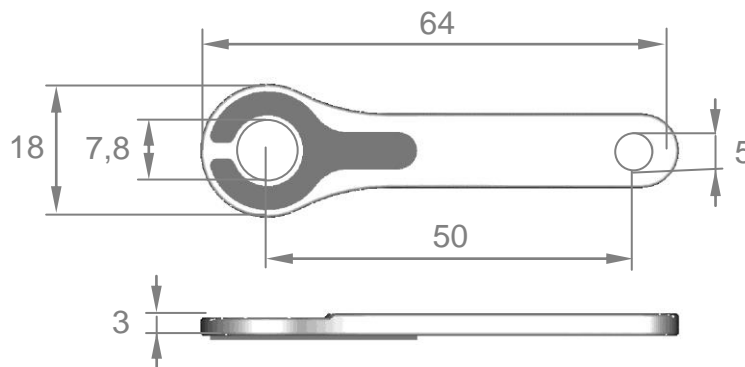


Data Sheet ScrewClip 8 Vario

Dimensions:



Mounting hole: Depends on fastener

Distance between holes for mounting: 50 mm

Max. permissible material thickness of mounting peg: 5 mm

Max. permissible torque: 45 Nm

Metal insert material: 1.4301 stainless steel

Elastomer type: SBR(styrene-butadiene rubber)

Temperature range: -40°C to +90°C

Colour: RAL 9005 (Jet Black)

Suitable for use with food: No

Notes:

- You can combine the ScrewClip with any screw you like
- We recommend using the ScrewClip with a washer

Type-tested (DEKRA) according to the Machinery Directive 2006/42/EG Annex I, 1.4.2.1

