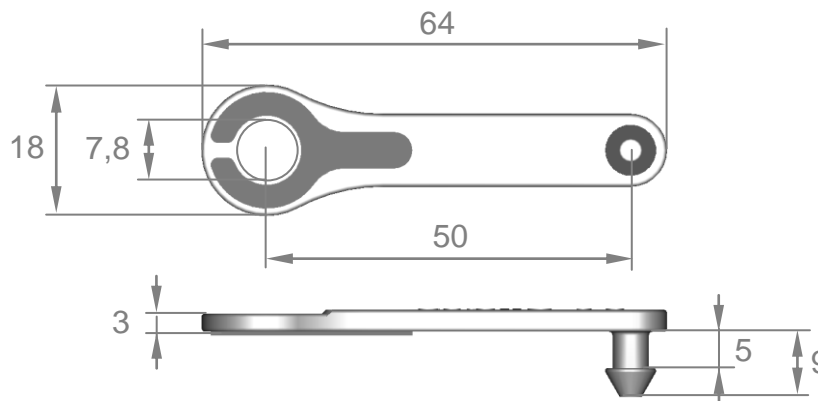


Data Sheet ScrewClip 8

Dimensions:



Mounting hole:	$\varnothing 6 \pm 0,1$
Distance between holes for mounting:	50 mm
Max. permissible material thickness of mounting peg:	5 mm
Max. permissible torque:	45 Nm
Metal insert material	1.4301 (stainless steel)
Elastomer type:	SBR (styrene-butadien rubber)
Temperature range:	-40°C to +90°C
Colour:	RAL 9005 (Jet Black)
Suitable for use with food:	No

Notes:

- You can combine the ScrewClip with any screw you like
- We recommend using the ScrewClip with a washer

Type-tested (DEKRA) according to the Machinery Directive 2006/42/EG Annex I, 1.4.2.1

